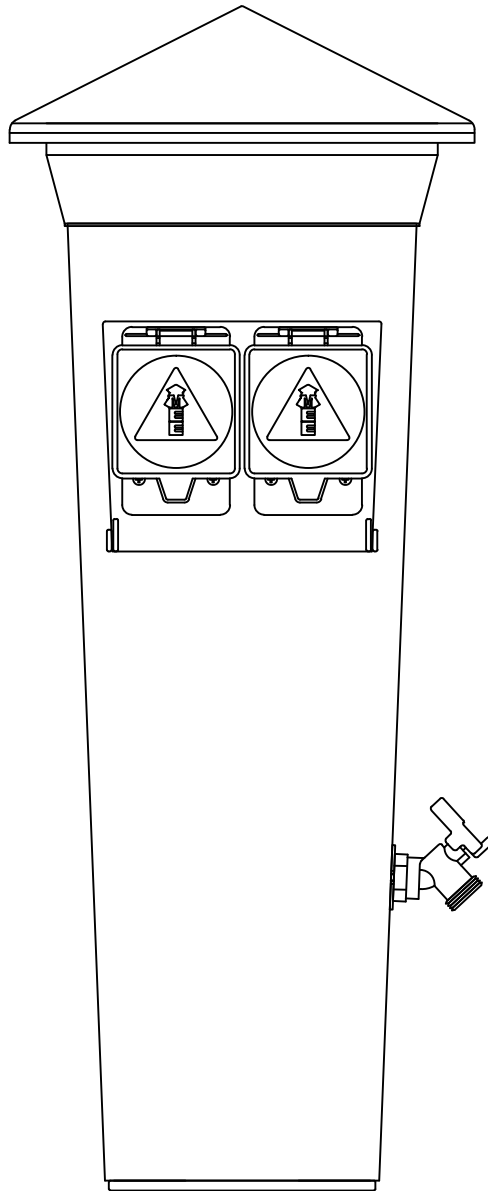




Marina Mate SS
Model MMSS2050

General Specifications



Marina Electrical Equipment, Inc.
100 Warwick Court
Williamsburg, VA 23185
Toll Free: 1-855-258-3939
Fax: 1-757-258-3988



General Specifications - Marina Mate SS Model MMSS2050

ALL MARINA MATE SS POWER PEDESTALS SHALL MEET THE FOLLOWING SPECIFICATIONS:

SECTION A: ACCEPTABLE MANUFACTURERS:

Marina Electrical Equipment, Inc.
100 Warwick Court
Williamsburg, VA 23185
Toll Free: 1-855-258-3939
Web: www.marinaelectricequipment.com

SECTION B: GENERAL REQUIREMENTS

1. Power pedestal shall be listed and marked, tested and certified to conform to Standard ANSI/UL® 231 entitled "Power Outlets" and CAN/CSA Standard C22.2 No. 29 entitled "Panelboards and Enclosed Panelboards."
2. Shall be compliant with all sections of the latest edition of NFPA® 303, "Fire Protection Standards for Marinas and Boatyards."
3. Shall be compliant with NEC, and NFPA 70 406.8 (B)(2)(a), which states: "A receptacle installed in a wet location shall be installed in a weatherproof enclosure, the integrity of which is not affected when the attachment plug cap is inserted."

SECTION C: CONSTRUCTION REQUIREMENTS

1. All materials and components used in the construction of the power pedestal shall be listed.
2. **Main Housing:** Shall be constructed of 16-gauge 316L stainless steel and shall be powdercoated with polyester resin and processed to withstand a saltspray without peeling or separating. The housing shall be listed as a NEMA® Type 3R weatherproof enclosure.
3. **Access Panels:** Shall be constructed of 16-gauge 316L stainless steel and be flush-mounted.
4. **Top:** Shall be constructed of 3/16" thick injection-molded listed polycarbonate and shall be covered with a UV-resistant 2-part polyurethane coating.
5. **Lens:** Shall be constructed of 3/16" thick injection-molded listed clear or amber-colored polycarbonate.
6. **Mounting Base:** Shall be constructed of 16-gauge 316L stainless steel and isolate the bottom of the pedestal housing from the mounting surface to shield against the corrosive effects of concrete and pressure-treated wood decking. The base shall include a non-metallic gland plate designed to prevent the intrusion of water and other items into the unit after installation.
7. **Hardware:** Shall be stainless steel, Phillips® drive.

SECTION D: LIGHTING

1. Each power pedestal shall contain a non-metered lighting assembly.
2. Lighting assembly shall be a readily available, commercially manufactured LED that is controlled by an electromechanical photocell. Optional helical compact fluorescent bulbs are also available.
3. The electromechanical photocell shall be internally mounted with no exposed external components.
4. Lighting assembly shall be protected by a 20 ampere, single pole circuit breaker or fuse.
5. Standard lighting assembly shall provide 360° downward illumination and provide minimum dock lighting of one foot-candle at 15 feet and not interfere with boater navigation.

SECTION E: RECEPTACLES & CIRCUIT BREAKERS

1. Receptacles shall be corrosion-resistant, locking grounding type conforming to NEMA® L5-20R, NEMA® L5-30R, NEMA® SS2-50R and/or NEMA® SS1-50R requirements and are rated for marine ship-to-shore use.
2. NEMA® receptacles shall be Leviton® corrosion-resistant stainless steel or equivalent.
3. Ground Fault Circuit Interrupting (GFCI) receptacles shall conform to NEMA® 5-20R requirements.
4. GFCI Receptacles shall be Leviton® SmartLockPro® Weather Resistant, corrosion-resistant stainless steel or equivalent.
5. Each receptacle shall be individually protected by a thermal-magnetic type circuit breaker with 10 kAIC interrupting rating.
6. Circuit breakers shall be miniature molded case type as manufactured by Square-D®, GE®, EATON® or equivalent and mounted vertically to avoid water accumulation on or around the circuit breaker. Circuit breakers and twistlock receptacles shall be assembled together on a panel section which can pivot out as a single mechanism for simplified maintenance practices.
7. Circuit breakers and receptacles shall be covered by a hinged weatherproof door.

General Specifications - Marina Mate SS Model MMSS2050

SECTION F: SOLID-STATE ELECTRIC kWh MONITORING (OPTIONAL)

1. Each pedestal shall be equipped with solid-state electric monitors which output kilowatt-hours (kWh) consumption at each slip via an electromechanical counter and internally built wireless remote transmission. Wireless transmission shall be integral to the solid state electric monitor. Transmission via third-party vendors is not acceptable.
2. Each solid-state electric monitor shall be rated for 200 amperes, listed, marked and tested to conform to Standard ANSI-C12.1 and NTEP standards with $\pm 1\%$ accuracy.
3. Each solid-state electric monitor shall be capable of monitoring ground faults at each slip.
4. Each solid-state electric monitor shall measure the analog pulse output of the water meters at each slip and wirelessly transmit the gallon usage via the internally built wireless remote transmission. Wireless transmission via third-party vendors is not acceptable.

SECTION G: WIRING & TERMINAL BLOCK

1. Power pedestal shall be completely factory pre-wired to the load side of the copper 3/8" stud lug compression terminal block assembly.
2. Electrical wiring shall be high-stranding tin-plated copper THHW/MTW VW-1 Boat Cable rated for 105°C.
3. LOAD side terminations to the copper bus bar shall be made by compression-type ring terminals on 3/8"-16 stainless steel stud with stainless steel 3/8" x 3/4" O.D. flat washer, 3/8" stainless steel Belleville captive spring washer and 3/8"-16 silicone-bronze hex nut, torqued to 180 inch-pounds.
4. LINE side terminations to the copper bus bar shall be made by compression-type ring terminals on 3/8"-16 stainless steel stud with a stainless steel 3/8" split-ring lock washer and 3/8"-16 silicone-bronze hex nut. Maximum wiring size shall be maximum 2/0 AWG for loop feeding and 4/0 kcmil for direct feed.
5. Maximum standard terminal block load shall not exceed 140 amperes at 125/250VAC.
6. All electrical components shall be located above the electrical datum plane set forth by the NEC.
7. All exposed metallic parts shall be grounded as part of the integral equipment ground.

SECTION H: TELEPHONE, CABLE TELEVISION, INTERNET (OPTIONAL)

1. Power pedestals shall be capable of providing single and/or dual telephone (RJ-11), cable television (F), and internet (RJ-45) connectors.
2. Low voltage telephone, cable television, and internet connections must be mounted under a weatherproof protective cover.

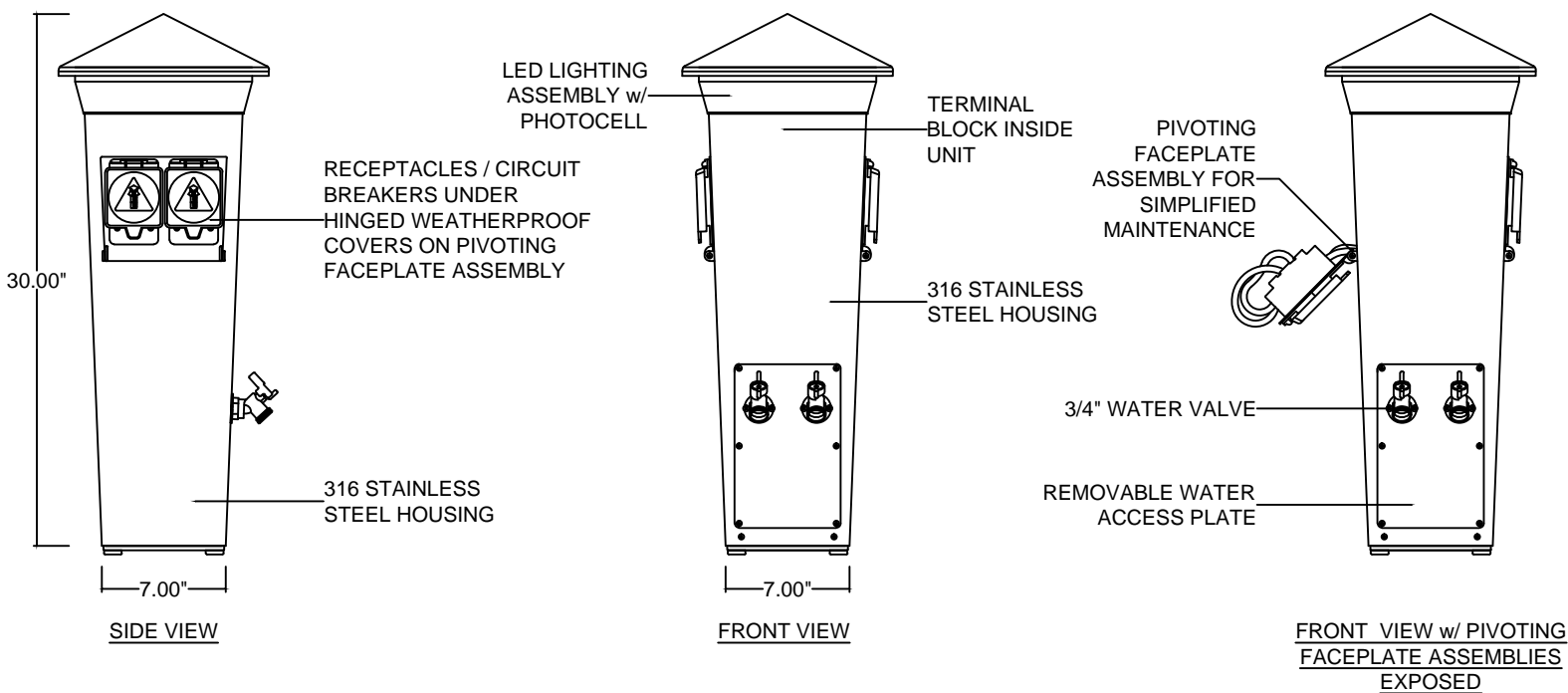
SECTION I: PLUMBING (OPTIONAL)

1. Each pedestal shall be capable of providing single or dual 3/4" IPS stainless steel ball valve hose bibs.
2. Plumbing connections must be partitioned from all electrical wiring/components by an integral partition box.

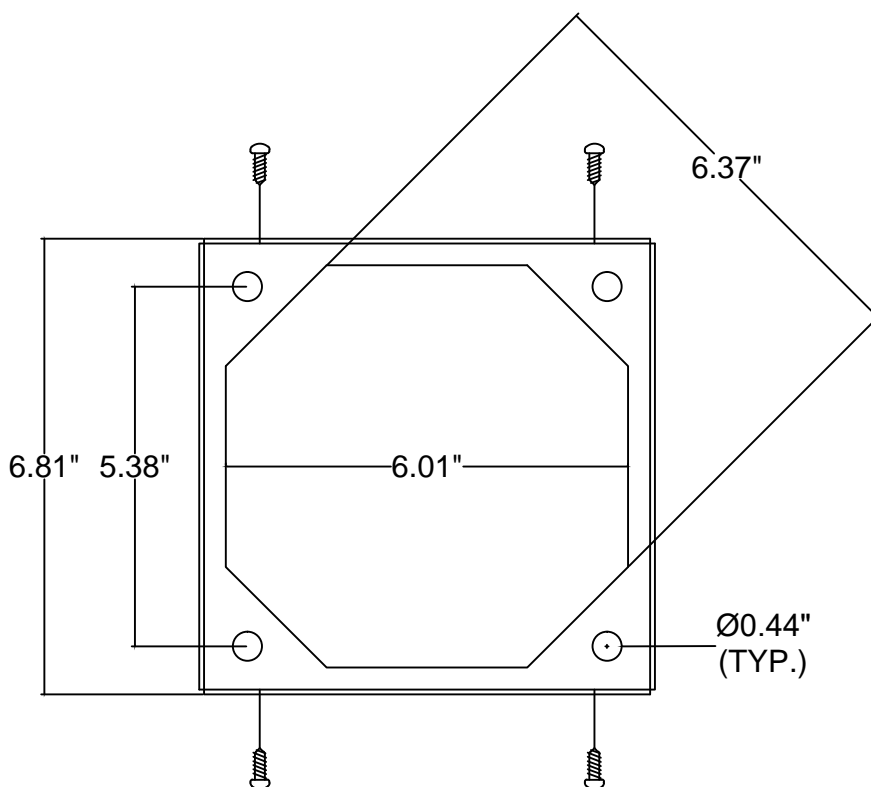
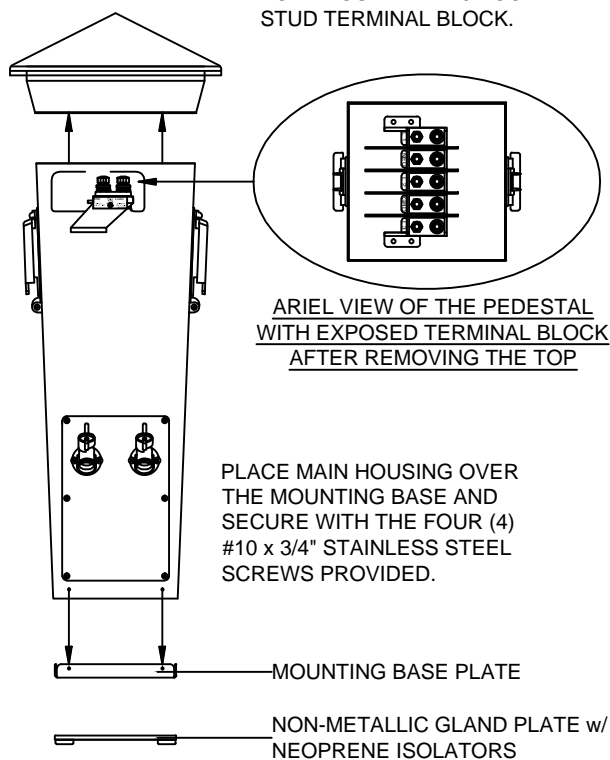
Specifications Subject to Change Without Notice

END OF SECTION

General Specifications - Marina Mate SS Model MMSS2050

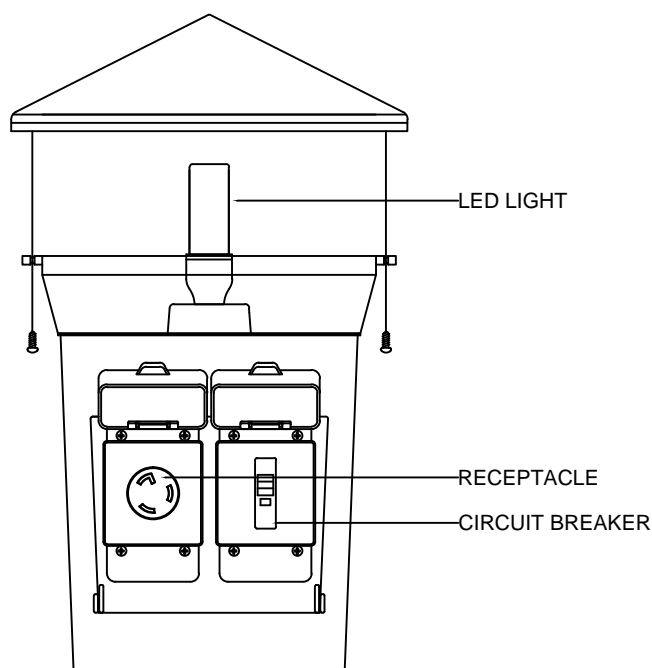


REMOVE THE FOUR (4) #10 x 3/4" STAINLESS STEEL SCREWS CONNECTING THE TOP WITH THE LIGHTING ASSEMBLY TO THE STAINLESS STEEL HOUSING TO EXPOSE THE 140A COPPER STUD TERMINAL BLOCK.

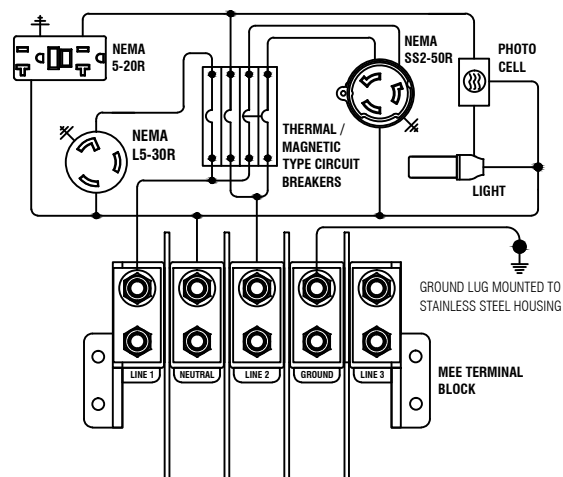


MOUNTING BASE DETAIL

General Specifications - Marina Mate SS Model MMSS2050



SIDE VIEW w/ RECEPTACLE
DOOR OPEN AND TOP
REMOVED



TYPICAL WIRING DIAGRAM

SECTION J: WARRANTY

1. The main housing and attached parts (top, lens, doors, receptacle faceplates, circuit breaker plates, and mounting base plate) will be free from failure resulting from defects in material and/or workmanship, and are covered by a limited warranty of one (1) year. The warranty is voided if any petroleum-based solvent is used anywhere on or near any of the polycarbonate parts. These parts include: the top, lens, doors, receptacle faceplates, circuit breaker plates, and the mounting base plate.
2. Internal electrical components shall be covered by a limited warranty of one (1) year. Items covered include: receptacles, circuit breakers, photocells, lamp holders, coil transformers, counters and wiring harnesses.
3. The solid-state electric kWh monitors will be free from failure resulting from defects in material and/or workmanship, and are covered for one (1) year. The warranty shall not cover the product against severe over-voltage conditions such as lightning strikes or excessive utility surges. The warranty is voided if the factory seal is broken or manipulated.
4. The warranty policy does not cover damage or failure resulting from abuse, misuse, negligence or Force Majeure.

Specifications Subject to Change Without Notice

END OF SECTION