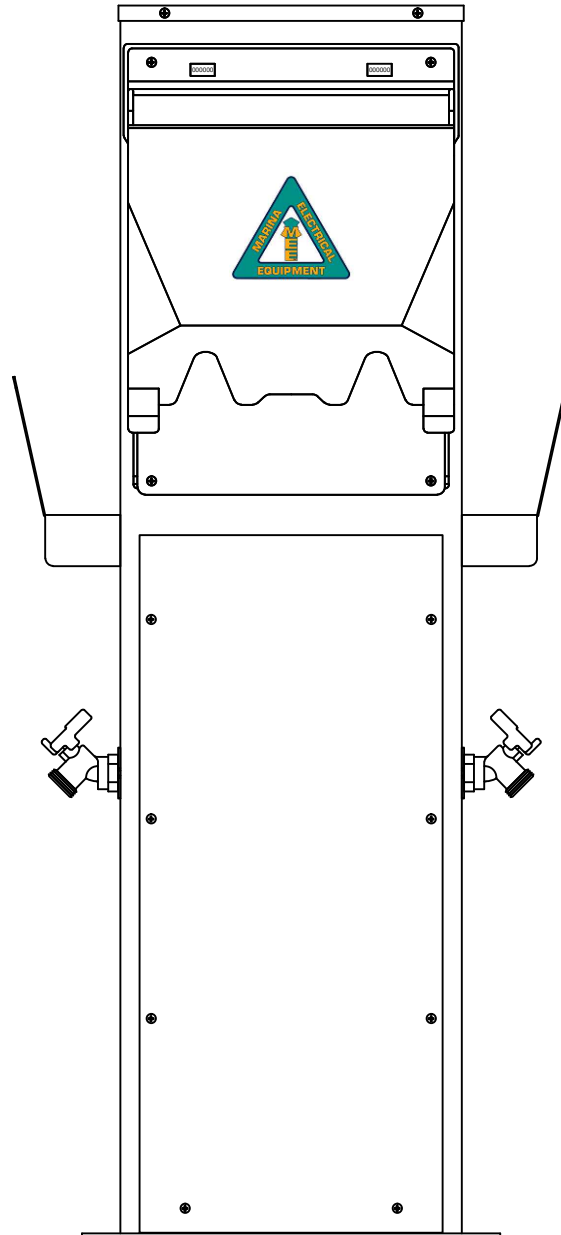




# Bayside Pedestal Model BU3050

## Installation, Maintenance, and Operation Manual



Marina Electrical Equipment, Inc.  
100 Warwick Court  
Williamsburg, VA 23185  
Toll Free: 1-855-258-3939  
Fax: 1-757-258-3988



# Bayside Pedestal Model BU3050

## Installation, Maintenance, and Operation Manual

### INTRODUCTION:

### PRODUCT DESCRIPTION:

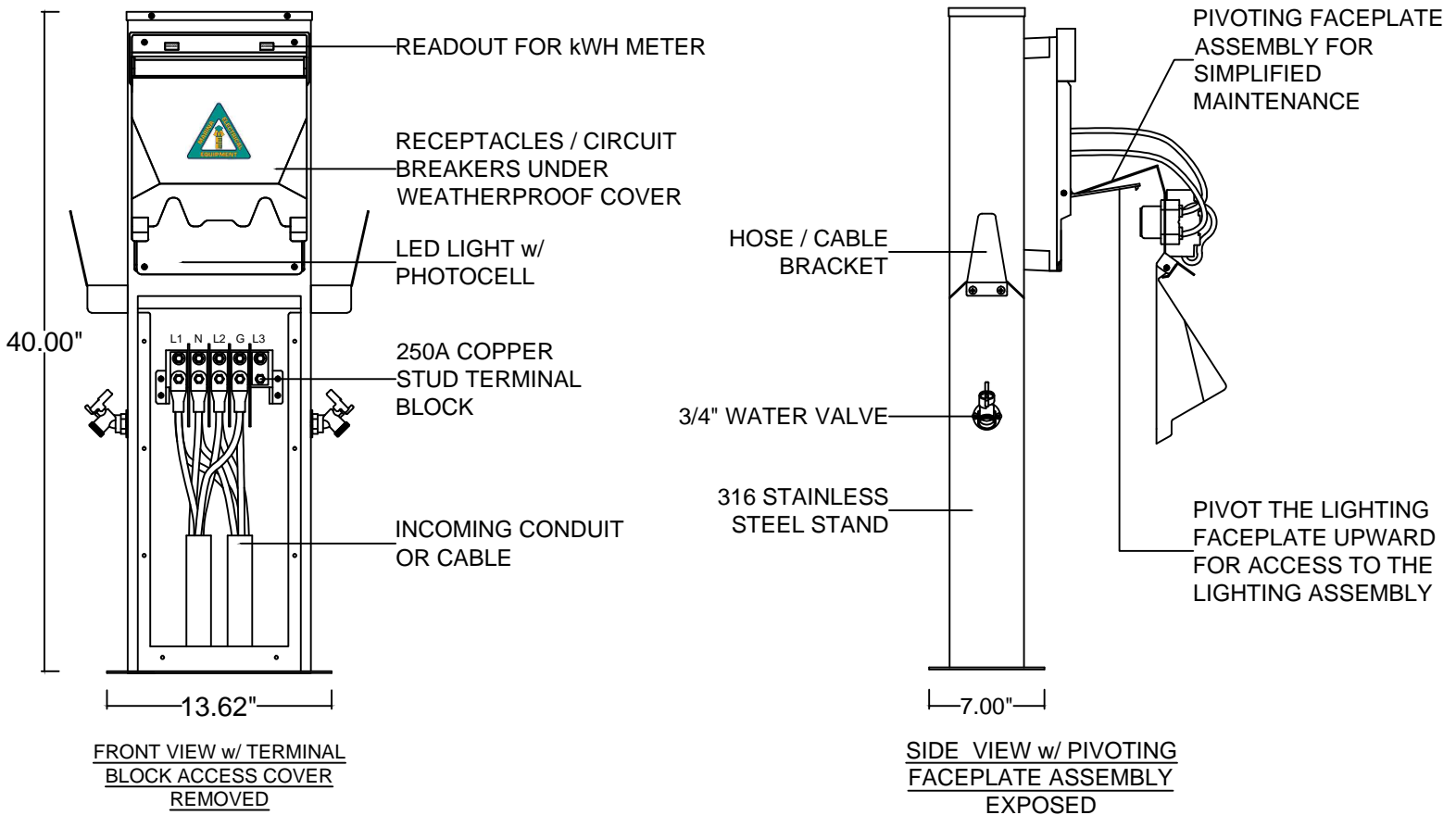
The power outlet shall be listed and marked, tested and certified to conform to Standard ANSI/UL® 231 entitled "Power Outlets" and CAN/CSA Standard C22.2 No. 29 entitled "Panelboards and Enclosed Panelboards." It is designed as a rainproof NEMA type 3R enclosure for outdoor locations such as marinas, and boatyards where power is required to operate portable, mobile, or temporarily installed equipment to supply shore power to vessels.

Power outlet may contain NEMA and / or IEC receptacles, circuit breakers, fuses, and watt-hour monitors for submetering electricity.

**WARNING:** Disconnect power before servicing. Marina Electrical Equipment, Inc. recommends that only qualified personnel or an electrician, familiar with the operation of this power outlet equipment, should install or service this power outlet. This product must be installed in accordance with the National Electrical Code (NEC) or the Canadian Standards Association (CSA) and any other applicable local codes. Before installing equipment, check with your local electrical inspector for specific requirements and information for your area.

**NOTE: ELECTRICAL CONNECTIONS PER NEC 555.9 - All electrical connections shall be located at least 12 inches above the deck of a floating pier, but not below the electrical datum plane.**

**CAUTION:** Marina Electrical Equipment, Inc. will not assume any responsibility for property damage or personal injury resulting from misuse of the information in this manual.



# Bayside Pedestal Model BU3050

## Installation, Maintenance, and Operation Manual

### INSTALLATION:

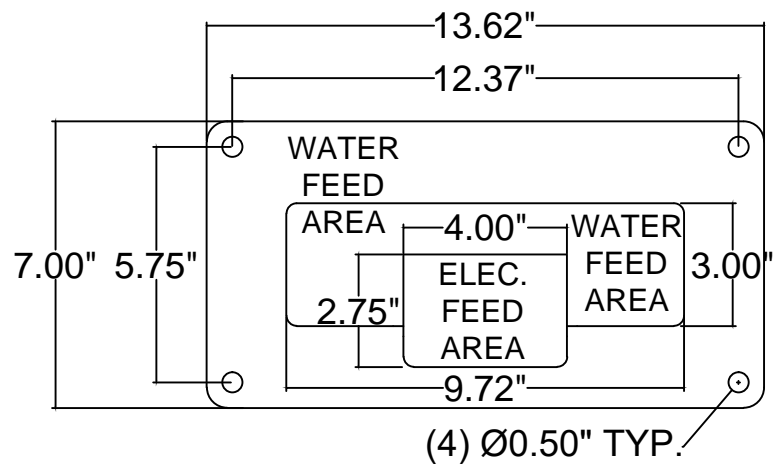
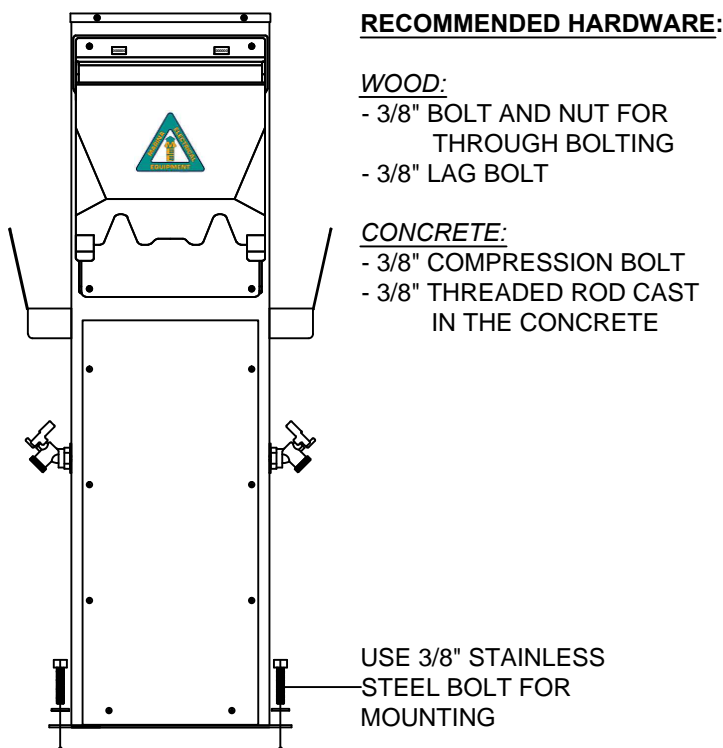
**IMPORTANT:** The Bayside Pedestal is thoroughly painted on the bottom and the stainless steel stand is specially designed to protect the bottom of the pedestal from direct contact with the dock surface to inhibit the corrosive effects of treated deck board lumber and/or concrete. Please handle the pedestal with care while mounting so as not to scrape or damage the paint on the bottom, which could lead to corrosion problems and a cancellation of the factory warranty.

### **Step 1: Mounting the Bayside Pedestal:**

Note: The pedestal mounting surface must be flat and level for proper mounting. Warped decking or uneven concrete surfaces can be shimmed with stainless steel washers to provide a level surface for mounting base installation. Orient the "Bayside" Pedestal so that the electrical access panel is accessible from the dock walkway

On Wooden Docks: At each corner, fit the pedestal to the dock surface with one (1) 3/8" stainless steel bolt, nut and washer for through-bolting, or (1) 3/8" stainless steel lag bolt, and washer for surface mounting.

On Concrete Docks: At each corner, fit the mounting base plate to the dock surface with one (1) 3/8" stainless steel compression bolt or 3/8" stainless steel threaded rod cast in concrete. (see figure below).



**MOUNTING BASE DETAIL**

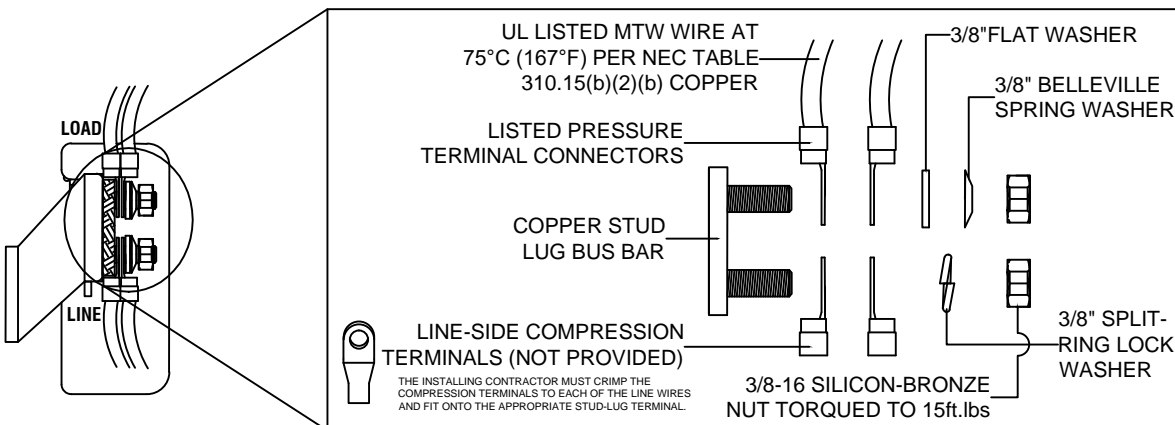
# Bayside Pedestal Model BU3050

## Installation, Maintenance, and Operation Manual

### Step 2: Connecting the Power Lines to the Terminal Block:

The "Bayside" power pedestal contains a 3/8" stud-lug compression type terminal block within the pedestal interior. Remove the eight (8) stainless steel screws fastening the electrical access panel to the pedestal to expose the terminal block assembly. Termination of the lines shall be made by means of copper compression terminals to place on the 3/8" stud-lug terminal block as directed by the wiring diagram instructions located inside the housing (see figure below). The terminated lines shall be placed on the bus bar "back-to-back" (each terminal facing 180° from each other) in order to achieve adequate surface contact to the copper bus bar (see figure below). The terminated lines shall be secured by means of one (1) stainless steel split-ring lock washer and (1) stainless steel nut, which are all provided for each of the incoming lines. These connections shall be torqued to **15 foot-pounds**. **CAUTION: NEVER PLACE ANY HARDWARE BETWEEN THE TERMINAL/BUS BAR CONNECTION. THIS CREATES A HIGH-RESISTANCE CONNECTION THAT COULD CAUSE OVERHEATING/FIRE.** **WARNING: DO NOT ALTER FACTORY-SIDE CONNECTIONS. FACTORY WARRANTY WILL BE VOIDED.**

**IMPORTANT: Contractor shall mount line side feeders per the diagram below. Heat shrink tubing shall be used when uninsulated copper terminal extend below bus bar insulation divider to keep proper spacing between live and grounded conductors, per NEC spacing requirements.**

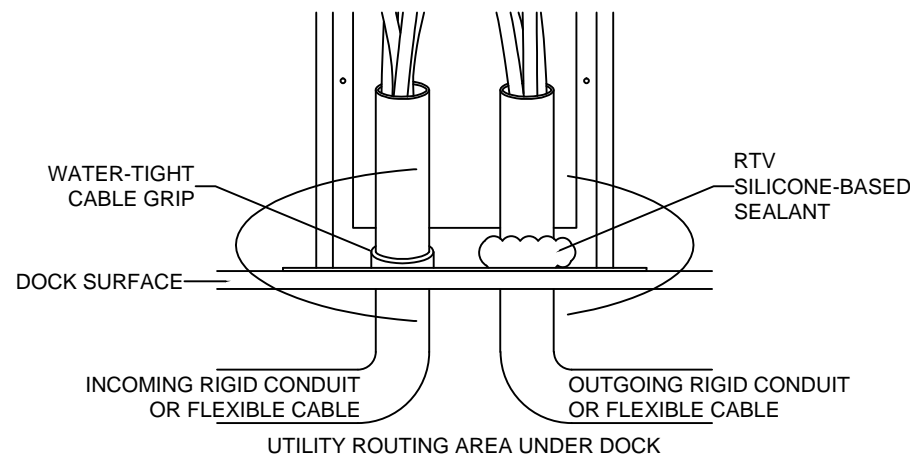


**USE ONLY 75°C (167°F) COPPER CONDUCTORS ONLY ON ALL FIELD INSTALLED LINE, LOAD TERMINATIONS INTENDED FOR USE WITH TERMINATED CONDUCTORS.**

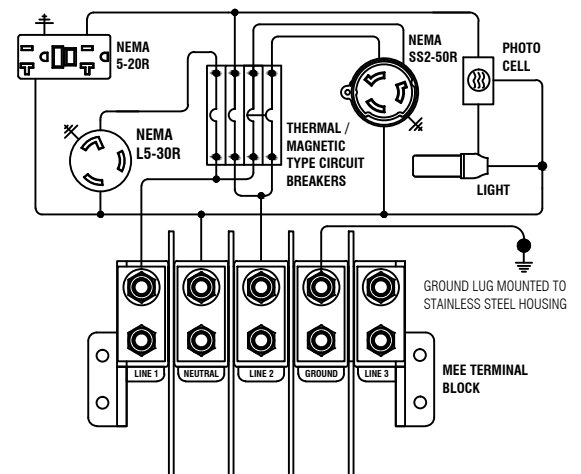
**CAUTION: BONDING BETWEEN CONDUIT CONNECTIONS IS NOT AUTOMATIC AND MUST BE PROVIDED AS PART OF THE INSTALLATION.**

**CAUTION: NONMETALLIC ENCLOSURE DOES NOT PROVIDE GROUNDING BETWEEN CONDUIT CONNECTIONS, USE GROUNDING TYPE BUSHINGS AND JUMPER WIRES.**

**BUS BAR ASSEMBLY - EXPLODED VIEW**



**BASE ENTRY DETAIL**



**TYPICAL WIRING DIAGRAM**

# Bayside Pedestal Model BU3050

## Installation, Maintenance, and Operation Manual

### Step 3: Water Connection:

Remove the access panel to access the back side of the 3/4" female ball valve (see figure below). Feed the piping through the bottom of the water compartment and plumb into the ball valve. PEX tubing and compression-type fittings are recommended for making these connections. After plumbing, guide the assembly back into the water compartment and mount the water access panel back onto the pedestal.

### Step 4: Phone (RJ-11), Cable TV (F), Ethernet (RJ-45) Connections:

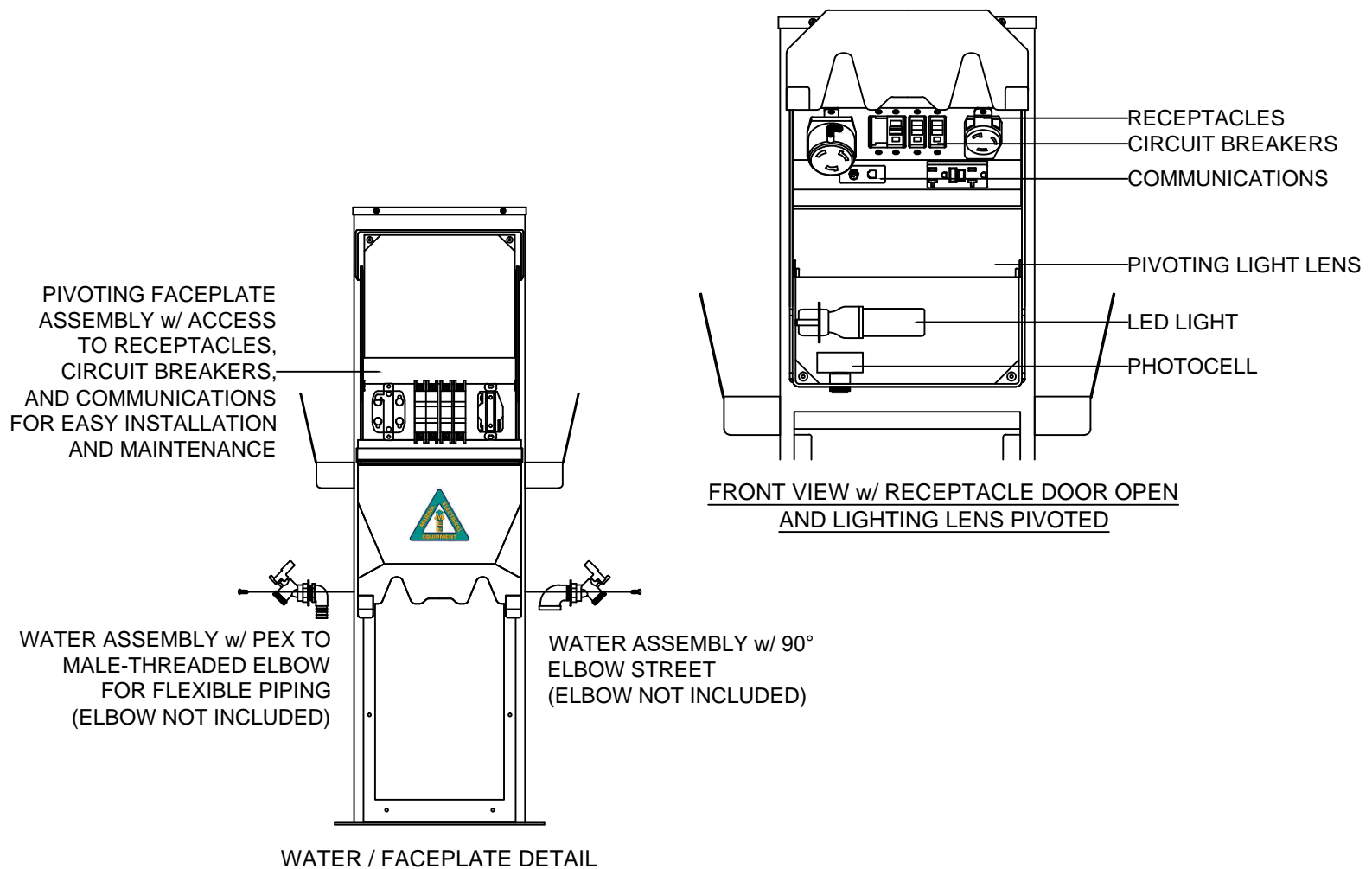
#### THE STEPS LISTED ABOVE ARE THE SOLE RESPONSIBILITY OF THE INSTALLING CONTRACTOR

Remove the two (2) screws fastening the breaker and receptacle faceplate at the top of the unit and pivot the entire assembly outward to expose the back of the phone/CATV or internet jacks.

- Through non-metallic tubing extending to the base of the unit, pull the phone, CATV, and/or Ethernet line(s) to the location of the corresponding jacks within the pedestal / utility center.
- Carefully guide heat-shrink tubing over the lines and make the appropriate terminations into the back of each of the connections.
- Shrink the tubing around the connections and carefully guide the lines back into the housing. Re-fasten the pivoting receptacle/breaker/communications plate assembly back to the main housing.

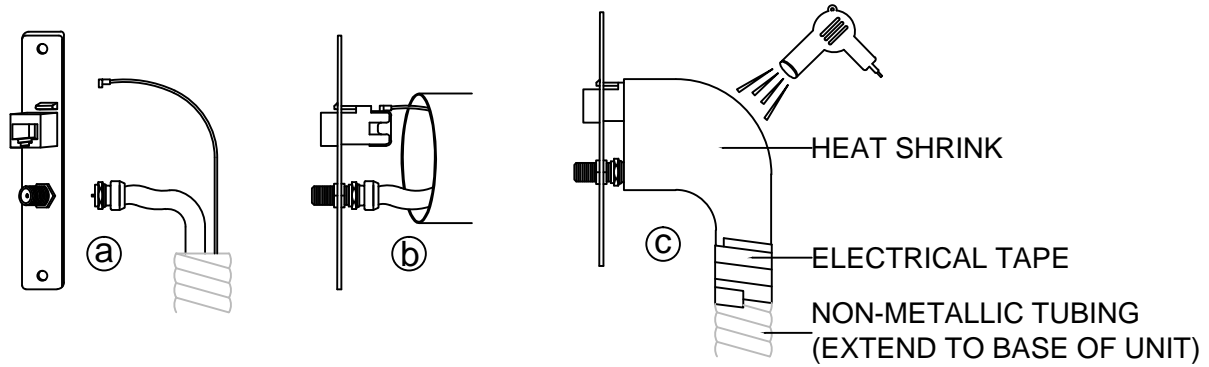
### Step 5: Changing the LED Bulb:

Switch the labeled circuit breaker to the "OFF" position, unscrew the two (2) screws fastening the lens to the main housing and pivot the lens upward to expose the lamp assembly. Replace the bulb and re-fasten lens (see figure below).



# Bayside Pedestal Model BU3050

## Installation, Maintenance, and Operation Manual



COMMUNICATIONS CONNECTIONS (SEE STEP 4 ON PREVIOUS PAGE)

### EXTERIOR MAINTENANCE:

Dirt, grime, bird droppings and insect residue can be removed by use of a mild degreasing solution mixture of one teaspoon per gallon of warm water. Gently scrub the housing exterior and rinse clean. Spiders and other insects can be controlled by use of a **WATER-BASED** insect spray.

**WARNING: DO NOT use any petroleum or solvent-based insect spray or corrosion inhibiting products on any part of the power pedestal. These solvents will compromise the structural integrity of the polycarbonate material and cause stress cracking and material failure. Use of any such solvents will void the manufacturer's warranty.**

### INTERIOR MAINTENANCE:

**WARNING:** Turn off or disconnect the power supplying this equipment before beginning work. This might require you to contact your local utility to disconnect the power to an existing panel board or disconnect. The line side of the main breaker in a panel board is energized unless power is disconnected upstream. Marina Electrical Equipment, Inc. will not assume any responsibility for property damage or personal injury resulting from misuse of the information in this manual.

#### 1. Annual Terminal Block Maintenance:

Loosen the eight (8) stainless steel screws holding the electrical access panel to the pedestal. Remove the panel to expose the **de-energized** terminal block assembly. The terminal block should then be thoroughly examined for signs of excessive heating, loose and/or corroded connections, and any other sign of damage or wear. All loose or damaged connections need to be tightened or replaced.

#### 2. Annual Receptacle and Circuit Breaker Maintenance:

The receptacles and circuit breakers should be examined on an annual basis. If any sign of heating or corrosion is evident, the component should be replaced. For part replacement, simply remove the four (4) screws fastening the breaker plate and faceplate to the main housing and pivot the entire assembly outward. This will allow for full access to the receptacles and circuit breakers for maintenance or replacement.

#### 3. Annual Light Fixture Maintenance:

The light fixture can be tested by covering the photocell for 2-4 minutes to simulate darkness. The photocell should close the circuit to illuminate the bulb. Should the bulb not illuminate, switch the labeled circuit breaker to the "OFF" position, unscrew the two (2) screws fastening the lens to the main housing and pivot the lens upward to expose the lamp assembly. Replace the bulb and re-fasten lens.

# Bayside Pedestal Model BU3050

## Installation, Maintenance, and Operation Manual

### OPERATION:

#### 1. Connect Shore Power Cord to Vessel:

Insert the female end of the shore power cord into the vessel's power inlet connection. Twist the plug to lock on and tighten the locking plug retainer nut until the cord set is snug to the vessel.

#### 2. Connect Shore Power Cord to Power Pedestal:

With the circuit breakers in the OFF position, insert the shore power cord into the receptacle and twist the plug clockwise until it locks onto the receptacle.

#### 3. Turn the Circuit Breaker ON:

With both connections secured, turn the circuit breaker to the ON position. Check to see that the power indicator light on the vessel indicates a successful attachment of the shore power cord.

## WARRANTY POLICY

### Housings:

Marina Electrical Equipment, Inc. (MEE) warrants that the main housing and attached parts (top, lens, doors, receptacle faceplates, circuit breaker plates, and mounting base plate) will be free from failure resulting from defects in material and/or workmanship, and are covered by a limited warranty of one (1) year. Should any of the above parts fail to comply with the above-mentioned warranty, MEE will either repair or replace the defective part(s), or credit the purchaser for the purchase price of the part. This warranty is voided if any petroleum-based solvent is used anywhere on or near any of the polycarbonate parts. These parts include: the top, lens, doors, receptacle faceplates, circuit breaker plates, and the mounting base plate.

### Internal Components:

MEE warrants that all internal electrical components shall be covered by a limited warranty of one (1) year. Items covered include: receptacles, circuit breakers, photocells, lamp holders, coil transformers, counters and wiring harnesses. Should any of the above parts fail to comply with this warranty policy, MEE will coordinate the repair or replacement of the defective part(s) with the respective supplier.

### Solid-State Electric kWh Monitors:

MEE warrants that the International Intelligent Meter (IIM) solid-state electric kWh monitors will be free from failure resulting from defects in material and/or workmanship, and are covered for one (1) year. Although the IIM meters contain integrated surge protection, MEE and IIM will not warrant the product against severe over-voltage conditions such as lightning strikes or abnormal utility surges. Should an electric monitor fail to comply with the above-mentioned warranty, MEE will either repair or replace the defective part(s)/components, or credit the purchaser for the purchase price of the part. This warranty is voided if the damage to any or all of the components is the result of abuse, misuse, or Force Majeure. This warranty is voided if the factory seal is broken or manipulated.

This warranty policy does not cover damage or failure resulting from abuse, misuse, negligence or Force Majeure. All warranty claims must be made in writing and all defective products shall be returned to MEE for evaluation unless stated otherwise by MEE. MEE will not be responsible for reimbursing the purchaser for any sort of expense incurred by the purchaser as a result of the repair or replacement of a warranty claim.

Send all warranty claims to:

Marina Electrical Equipment, Inc. - 100 Warwick Court - Williamsburg, VA 23185

Toll Free: 1-855-258-3939

Fax: 757-258-3988